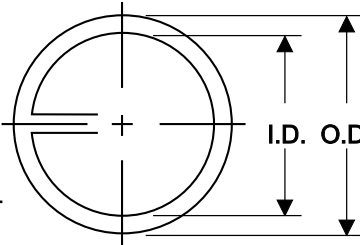


GASKETS

2 Pass
 4 Pass
 Other _____


Inside Diameter: _____

Outside Diameter: _____



TUBE PITCH

Equilateral Inline



Shell Size: _____

Manufacturer's P/N: _____

Bolt Holes: Yes No

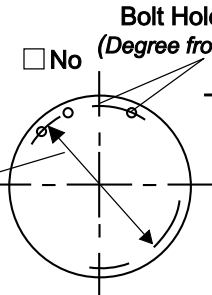
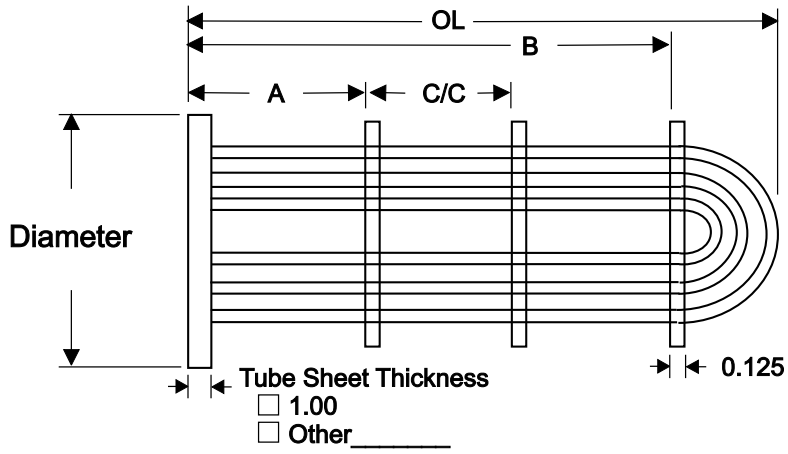
Bolt Hole Orientation
(Degree from 0° Centerline) _____

Bolt Circle Diameter _____

TUBESHEET Bolt Circle Reference

Number of Bolt Holes: _____

Size of Holes: _____

MATERIALS

Tubes: 0.75 OD x 0.049 TW Copper
 0.75 OD x 0.049 TW Cupro-nickel
 Other _____

Tubesheet: Carbon Steel
 Brass
 Other _____

Gaskets: _____

BUNDLE DUTY

Liquid Steam Tank Heater

Bundle Duty: Liquid Steam Tank Heater

Baffle Diameter: _____ Dimensions: A: _____
 B: _____
 C/C: _____

Baffles Constructed of 0.125" Brass

